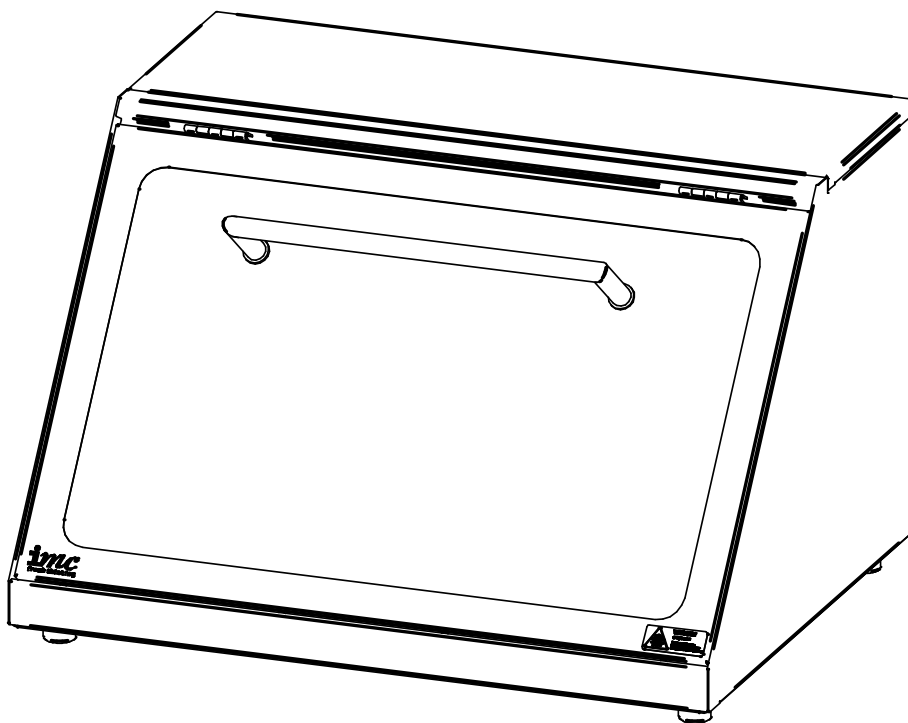


# **imc**

**CONFIDENCE BOX**

**INSTALLATION AND USER MANUAL  
PLEASE LEAVE WITH OPERATOR**



**CONFIDENCE BOX – F63/900**

## INDEX

<b>INPORTANT INFORMATION</b>	1
Guarantee	1
Delivery	1
<b>DIMENSIONS</b>	2
<b>SPECIFICATION</b>	2
<b>PRODUCT FEATURES</b>	3
<b>INSTALLATION</b>	4
Procedure	4
Location	4
Operating Instructions	5
Cleaning	6
<b>SPARE PARTS</b>	6
Ordering Spear Parts	7

**IMPORTANT INFORMATION**

Read these instructions carefully. This manual outlines the installation, operation procedures relevant to this unit.

**WARNING**

The lamps inside this product emit high power UV radiation that can cause injury to skin and eyes. To avoid eye and skin exposure to the harmful UV radiation, this product should only be used when both doors are in the closed position. Interlocks included for safety.

The mercury-vapour lamps are made from quartz glass. Do not touch with bare hands. Oils from skin will cause hot spots on the lamps, dramatically reducing the longevity of the lamp

In the event the door acrylic becomes cracked or damaged. Do NOT use this appliance. A replacement door must be ordered.

**Guarantee**

The Confidence Box unit is guaranteed by Lincat for 2 years from the date of purchase from Lincat, or from one of its stockists, dealers or distributors. The guarantee is limited to the replacement of faulty parts or products and excludes any consequential loss or expense incurred by purchaser. Defects which arise from faulty installation, inadequate maintenance, incorrect use or fair wear and tear are not covered by the guarantee.

The guarantee applies in this form to installations within the United Kingdom.

Please observe these instructions carefully. Keep this manual for future reference

The manufacturer disclaims any liability for incidental, or consequential damages. Attendance is based on reasonable access to the appliance to allow the authorised technician to carry out the warranty work.

**Delivery**

The packaged unit contains:

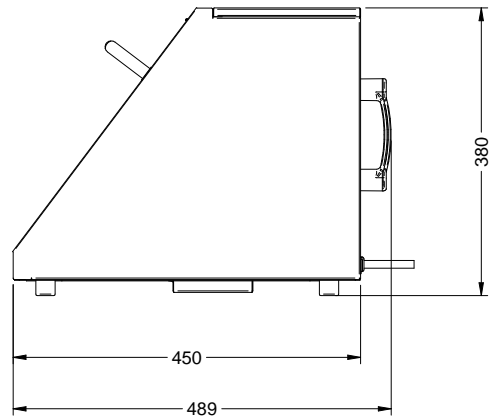
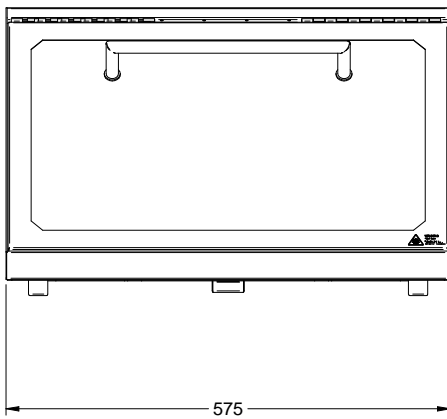
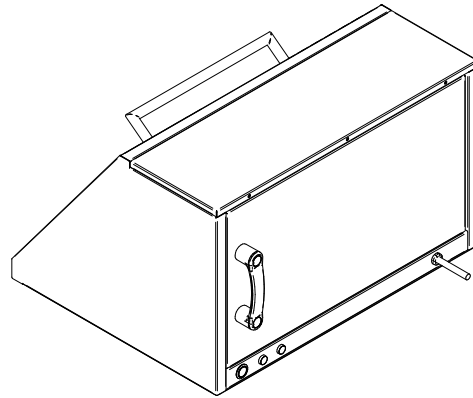
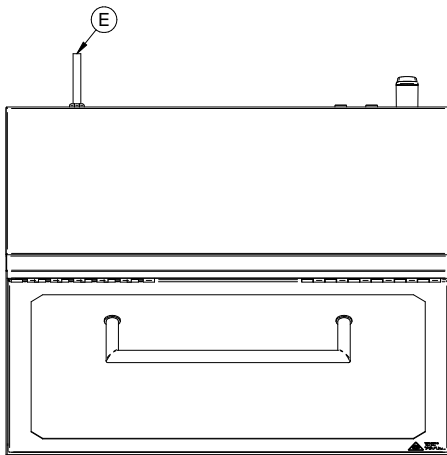
CONFIDENCE BOX UNIT: Fully Assembled Confidence Box Unit	1
Instruction Booklet	1

Please notify **LINCAT-IMC** on the day of receipt if anything is missing or damaged.

**☎ UK: 01522 875555**

Check that the correct machine has been supplied. The data plate is located on the underside of the unit.

**DIMENSIONS**



**SPECIFICATION**

Height (mm)	375
Width (mm)	575
Depth (mm)	450
Weight (kg)	18
Power Rating (kW)	0.16

PRODUCT FEATURES

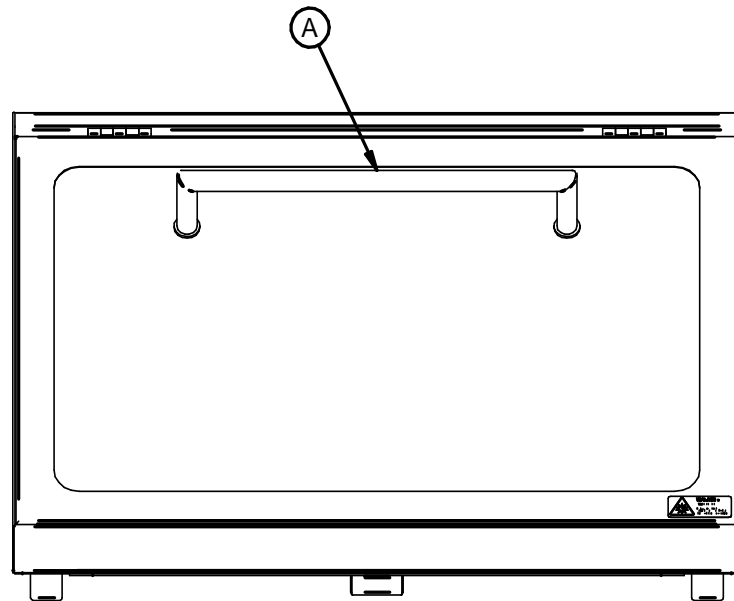


Fig 2 – (FRONT VIEW)

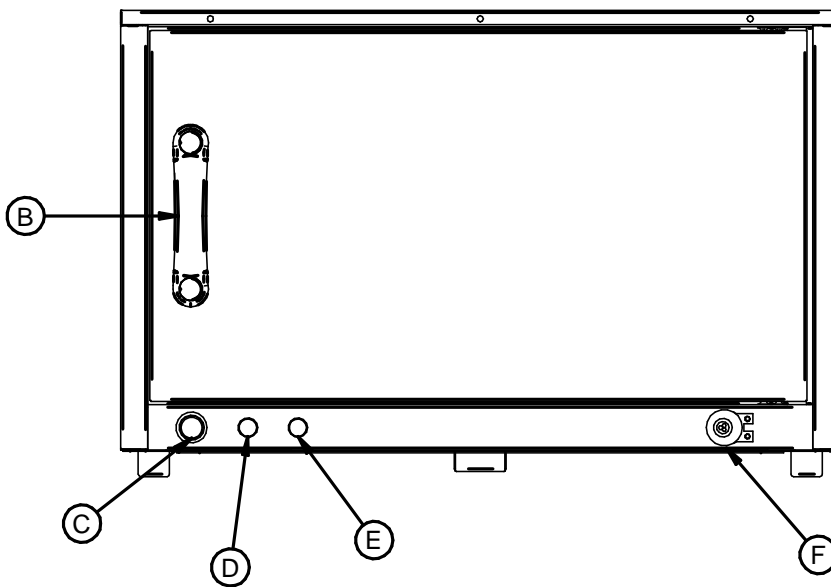


Fig 3 - REAR VIEW

- A - DOOR HANDLE
- B - REAR DOOR HANDLE
- C - START 30 SECOND CYCLE SWITCH
- D - GREEN POWER NEON
- E - AMBER CYCLE ON NEON
- F - POWER CABLE

## INSTALLATION

These Instructions contain important information designed to help the user obtain the maximum benefit from their investment in a Confidence Box.

Please read them carefully before starting work and consult with your distributor/supplier in the event of any queries.

This appliance must be installed, commissioned and serviced by a qualified person in accordance with national and local regulations in force in the country of installation.

Be sure to leave this instruction manual with the user after installation of the machine is complete, or in a safe location.

### Procedure



#### WARNING

The following table shows the weight and the minimum quantity of people required to lift each unit:

	Net Weight	Quantity of People
Confidence Box	18 kg	1

Before using the Confidence Box; remove all packaging and ensure that the unit is checked over for damage, any damage must be reported to the carrier or distributor/supplier immediately.

Remove any protective plastic coating on the unit.

Ensure that the plug/socket is accessible at all times.

### Location

The Confidence Box is only suitable for use where there is no risk for the unit to be adversely affected by its surrounding environment.

The unit must be stationed on a flat surface capable of safely supporting the units weight.

The unit must be accessible both from the rear for the server and front for customer

## OPERATING INSTRUCTIONS

Utilising the effects of four UV-C (254nm) mercury-vapour lamps, located in the base, sides and top, the Confidence Box reduces the viral and bacterial contamination on the exposed surfaces of any object placed inside in just 30 seconds.

Plug the unit into a 13A wall socket and switch on. The green neon (D) located on the rear fascia will then illuminate indicating power to the appliance.

The server should open the rear door of the unit by handle (B) and place an object to disinfect inside. They should then close the door and press the 30 second cycle start switch (C)

The amber neon (E) located on the rear fascia will then illuminate indicating the cycle has started.

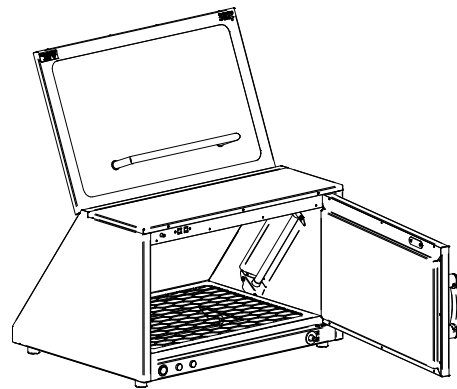
The four high power UV-C lamps will then pre heat for 3-4 seconds before turning on and run for a total of 30 seconds.

After the 30 second disinfection cycle has completed, an audible alarm will sound and the cabinet will light up green to indicate the cycle has finished.

The server will then reach over the appliance and open the front door by the handle (A). This is all done by standing at the rear of the appliance.

The customer at the front of the appliance is then able to take the object that was placed inside.

The server can then close the front door and repeat the process for putting objects inside.



## SAFTEY NOTICE!

This appliance is fitted with UV blocking acrylic on the front of the appliance to protect the user from the harmful UV radiation.

Three interlock safety switches are fitted on the doors of this appliance. Two on the front, one on the rear. This protects the user from any exposure to the UV as the appliance will not operate unless the doors are closed.

**WARNING – DO NOT DEPRESS THE SAFTEY SWITCHES AND TURN THE APPILANCE ON WITHOUT CLOSING THE DOORS. DOING SO COULD RESULT IN SERIOUS DAMAGE TO EYES AND SKIN. USE THE APPLIANCE AS STATED.**

## CLEANING

Clean the externals of the unit as required; using a damp cloth and an appropriate cleaning product.

In the event that a liquid is spilled inside the unit, open the doors immediately to stop the cycle.

A drain pipe is located in the base lamp holder. This drains to the work surface through a protective shield below the appliance to prevent a build-up of liquids in the lamp holder.

Take extra care when cleaning around the lamps as they are fragile.

Do NOT touch lamps with bare hands. Use a soft cloth.

## DO NOT USE CLEANING MATERIALS CONTAINING ABRASIVES OR BLEACHES

## SPARE PARTS



It is recommended you change the lamps (LA430) every 9000 hours of use to achieve required UV intensity levels.

PART NUMBER	DESCRIPTION
BL17	BALLAST T5-UVC 24V
BU267	24V SLOW PULSE BU
FE35	FOOT
FZ400547	MICROSWITCH
HA121	300MM CENTRES
HA122	BLACK HANDLE
HI26	POLISHED CHROME HANDLE
LA430	UV LAMP 14W
LA431	UV LAMP HOLDER
LED02	24V RGB LED STRIP
LED04	HIPPO SNAP CONNECTOR
NE46	GREEN NEON
NE51	AMBER NEON
PL202	MAINS CABLE ASSEMBLY
PS20	24V 6.5A 156W AC/DC
SW108	MOMENTARY SWITCH
T154	MULTIFUNCTION TIMER
DO256	FRONT DOOR REPLACEMENT F63/900



## Ordering Spare Parts

In the event that spare parts or accessories need to be ordered, please always quote the SERIES AND SERIAL NUMBER of the machine. This is to be found on the rating plate located near the supply cable if applicable or at the rear of the appliance.

For help with the installation, maintenance and use of your **Lincat - IMC** equipment, please contact our service department:

**☎ UK: 01522 875520**

For non-UK customers, please contact your local Lincat dealer

All service work, other than routine cleaning should be carried out by one of our authorised service agents. We cannot accept responsibility for work carried out by other persons.

To ensure your service enquiry is handled as efficiently as possible, please tell us:

- Brief details of the problem
  - Product code
  - Type number
  - Serial number
- } All available on serial plate

Lincat reserve the right to carry out any work under warranty, given reasonable access to the appliance, during normal working hours, Monday to Friday, 08:30 to 17:00.